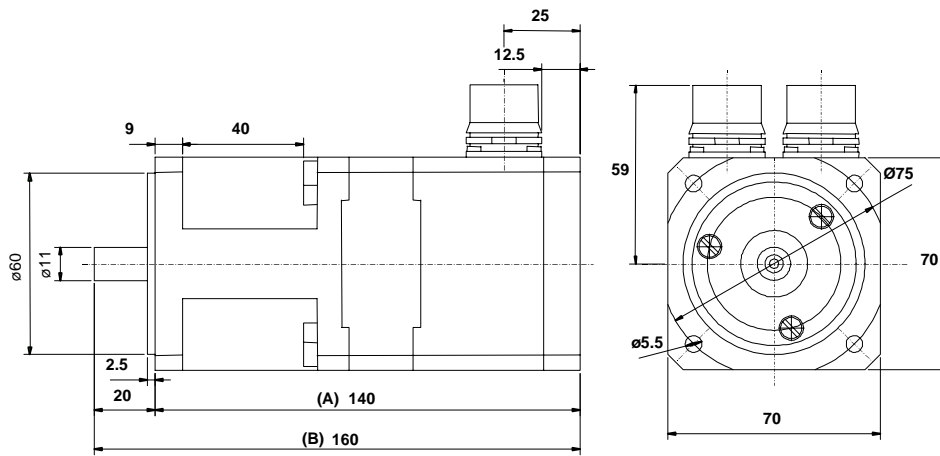


EC - Motoren

Baureihe EC 35

- ☆ Neodym Magnetmaterial
- ☆ 0,7 Nm bis 2,6 Nm
- ☆ Flansch 70 x 70
- ☆ Nenndrehzahl 4000 min⁻¹



8

Typ EC	M0 [Nm]	Mn [Nm]	I0 [A]	In [A]	ke [V/1000 min-1]	kt [Nm/A]	Rk [Ω]	L [mH]	Jrot [kgcm2]	m [kg]	A [mm]
--------	------------	------------	-----------	-----------	-------------------------	--------------	-----------	-----------	-----------------	-----------	-----------

35-K0	0.7	0,65	1.7	1,6	37.0	0.4144	8.51	9.0	0.40	1.85	140
35-S0	1.1	1,0	2.7	2,5	35.2	0.3937	4.17	4.15	0.55	2.15	150
35-M0	2.1	1,8	5.3	4,5	35.5	0.3979	1.61	2.2	1.00	3.05	180
35-L0	2.6	2,2	7.4	5,5	35.6	0.3990	0.92	1.5	1.50	4.00	210